










product information




<p>3 sizes</p> <p>20, 50 & 70 litre capacity</p>	<p>hands free</p> <p>Hygienic hands free operation, foot pedal must be used to open</p>	<p>HTM07-01 compliant</p> <p>Safe management of healthcare waste compliant</p>	<p>HTM05-03 tested</p> <p>Designed & tested to HTM05-03 Part A</p>	 <p>Silent, dampened closing lid as standard</p>
 <p>Corrosion resistant epoxy coated white galvanised bodies</p>	 <p>Silicone bag retaining cord with nylon finger loop</p>	 <p>Stainless steel foot pedal with pedal label (where applicable)</p>	 <p>Sealed base prevents leakages</p>	<p>wall mounting bracket</p> <p>Integrated wall mounting bracket</p>
 <p>Off the wall design to help prevent damage</p>	 <p>Flame retardant*</p>	 <p>Easy clean design and materials</p>	 <p>2 year warranty</p>	<p>express ITEM</p> <p>Delivery normally within 3-5 working days</p>

*Designed and tested to HTM05-03 Part A

designated usage - please specify lid colour when ordering

<p>WHITE</p>  <p>General Use</p>	<p>YELLOW</p>  <p>Waste for Incineration</p>	<p>BLACK</p>  <p>Domestic (Municipal) Waste</p>	<p>YELLOW/BLK</p>  <p>Offensive/Hygiene Waste</p>	<p>ORANGE</p>  <p>Waste Which May Be Treated</p>
<p>PURPLE</p>  <p>Cytotoxic & Cytostatic Waste</p>	<p>AMALGAM</p>  <p>Amalgam Waste</p>	<p>BLUE</p>  <p>Medical Waste for Incineration</p>	<p>RED</p>  <p>Anatomical Waste for Incineration</p>	

dimensions

<p>20 Litre</p>  <p>51cm(H) 32cm(W) 33cm(D)</p>	<p>50 Litre</p>  <p>59cm(H) 42cm(W) 43cm(D)</p>	<p>70 Litre</p>  <p>78cm(H) 42cm(W) 43cm(D)</p>
---	---	---

We are "The Strong Silent Type" and we don't like hands either! Designed for the multi function disposal of waste (HTM07-01), with usage designated by an appropriate coloured lid and pedal label.



Code: **Sun-BIN20** - 20 Litre bin

Code: **Sun-BIN50** - 50 Litre bin

Code: **Sun-BIN70** - 70 Litre bin

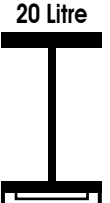
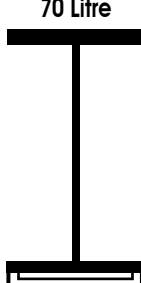
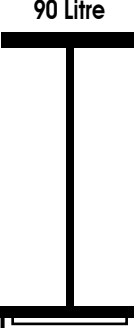
product information - sack holders

 <p>3 sizes</p> <p>20, 70 & 90 litre capacity</p>	 <p>Hygienic operation, foot pedal should be used to open</p>	 <p>Elasticated bag retaining cord with nylon finger loop</p>	 <p>Corrosion resistant materials</p>	 <p>HTM07-01 compliant</p> <p>Safe management of healthcare waste compliant</p>
 <p>Easy clean design and materials</p>	 <p>1 year warranty</p>	 <p>Supplied fully assembled</p>	 <p>British made</p>	 <p>express ITEM</p> <p>Delivery normally within 3-5 working days</p>

designated usage - please specify lid colour when ordering

 <p>WHITE</p> <p>General Use</p>	 <p>YELLOW</p> <p>Waste for Incineration</p>	 <p>BLACK</p> <p>Domestic (Municipal) Waste</p>	 <p>YELLOW/BLK</p> <p>Offensive/ Hygiene Waste</p>	 <p>ORANGE</p> <p>Waste Which May Be Treated</p>
 <p>PURPLE</p> <p>Cytotoxic & Cytostatic Waste</p>	 <p>AMALGAM</p> <p>Amalgam Waste</p>	 <p>BLUE</p> <p>Medical Waste for Incineration</p>	 <p>RED</p> <p>Anatomical Waste for Incineration</p>	

dimensions

 <p>20 Litre</p> <p>58cm(H) 22cm(W) 35cm(D)</p>	 <p>70 Litre</p> <p>78cm(H) 43cm(W) 44cm(D)</p>	 <p>90 Litre</p> <p>86cm(H) 43cm(W) 44cm(D)</p>
---	---	---

Hands-free operation and sturdy design (HTM07-01) is what makes our sack holders hygienic and simple to use. They are ideal for areas where the risk of fire is minimal. Usage is designated by an appropriate coloured lid.



Code: **Sun-BINSH20** - 20 Litre sack holder



Code: **Sun-BINSH70** - 70 Litre sack holder



Code: **Sun-BINSH90** - 90 Litre sack holder